



TS-10

Ex-Temperature Switch, bimetal, fixed setpoint:

The electric temperature switch TS-10 is designed to switch electrical devices with respect to the ambient temperature. The switching point depends on the chosen bimetal switch. The setpoint as well as the functional principle, meaning opening or closing, have to be defined during order and will be preset during production phase. As a standard the TS-10 comes as an opener.

Options:

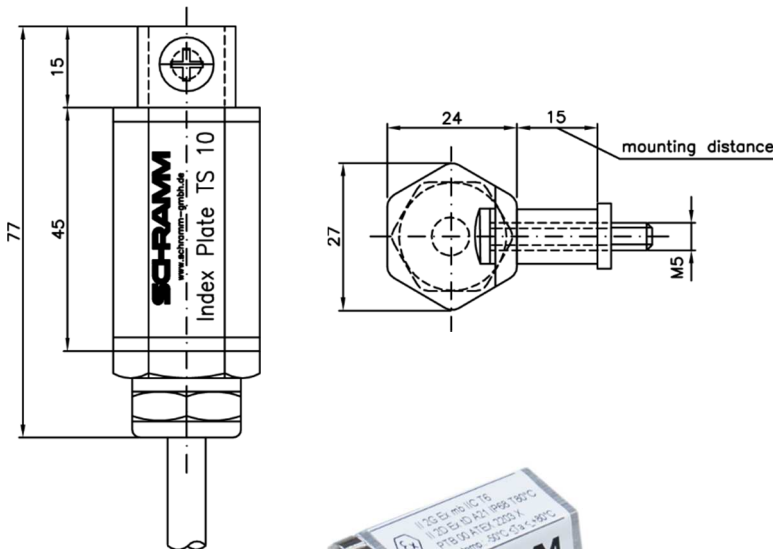
- TS-10 - VD = assembled in a junction box with integrated meltable fuse 6A
- TS-10 - K = Integrated in the connection cable
- TS-10C = Closing at temperature rise – e.g. Setpoint: 40°C ON for example for ventilation
- TS-10Z = Special design – e.g. individual setpoints between -15°C und +100°C

Marking:

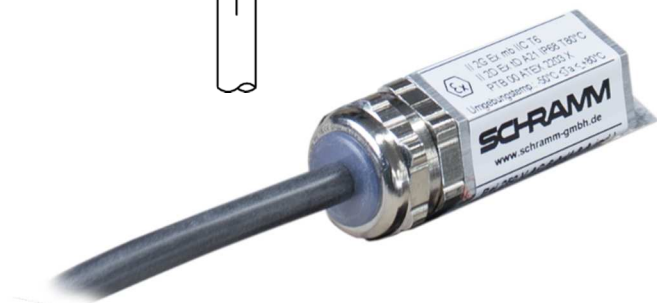
Gas: II 2 G Ex mb IIC T6 / T5 / T4b
 Dust: II 2 D Ex tb IIIC IP68 T80°C / T95°C / T130°C
 EC Type Examination Certificate: PTB00 ATEX 2203 X
 EAC Ex Certificate: RU C-DE.EX01.B.00032/19

Technical Data:

Setpoint: As a standard +10°C, +20°C, +30°C, +40°C
 Tolerance: +/- 3°C
 Rated Voltage: 250VAC
 Max. Rated Switching Current: 6A
 Connection Cable: Silicon cable 3x1 mm², 3 m
 Weight: app. 0,15 kg
 Ambient Temperature: -50°C to +80°C
 Degree of Protection: IP 68
 Enclosure: Aluminum, saltwater-proof



TS 10-VD
Ex-Temperature switch in
Ex-junction box with fuse



TS 10



TS 10-K