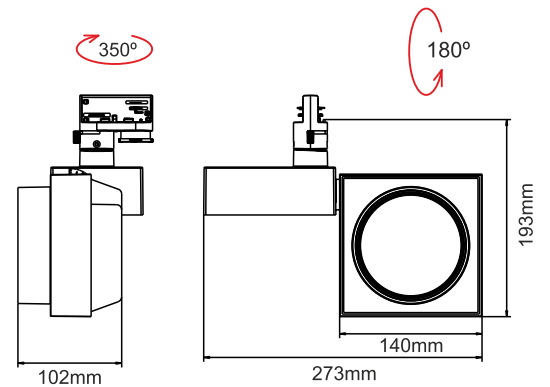


ECO ALUMINIUM 42W 220V 43° LED PHILIPS PROJECTOR PARA CARRIL

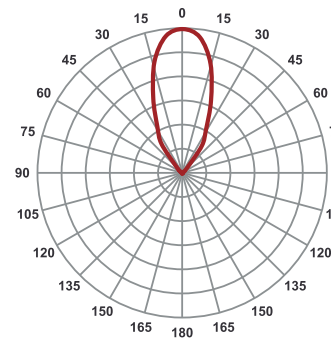
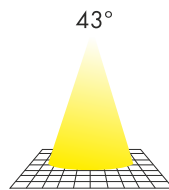


3-PHASE ADAPTER INCLUDED
ADAPTADOR TRIFASICO INCLUIDO



5 Years Warranty

PHILIPS XITANIUM DRIVER
PHILIPS FORTIMO CHIP



CODE	COLOR	CCT	LUMENS	POWER	VOLTAGE	ANGLE	PF	A	Hz	LIFETIME	RA	IP
3642	● BLACK	3.000 K	4.690	42W	220-240V	43°	> 0,9	1,05	50/60	50.000	80	20
3643	● BLACK	4.000 K	4.800	42W	220-240V	43°	> 0,9	1,05	50/60	50.000	80	20
3644	○ WHITE	3.000 K	4.690	42W	220-240V	43°	> 0,9	1,05	50/60	50.000	80	20
3645	○ WHITE	4.000 K	4.800	42W	220-240V	43°	> 0,9	1,05	50/60	50.000	80	20

